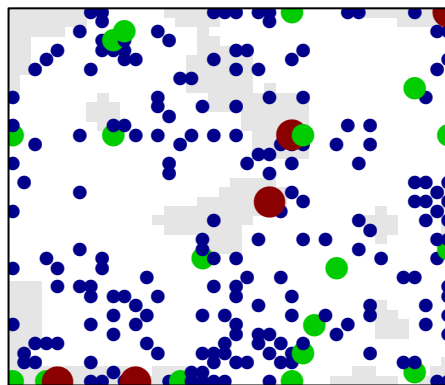
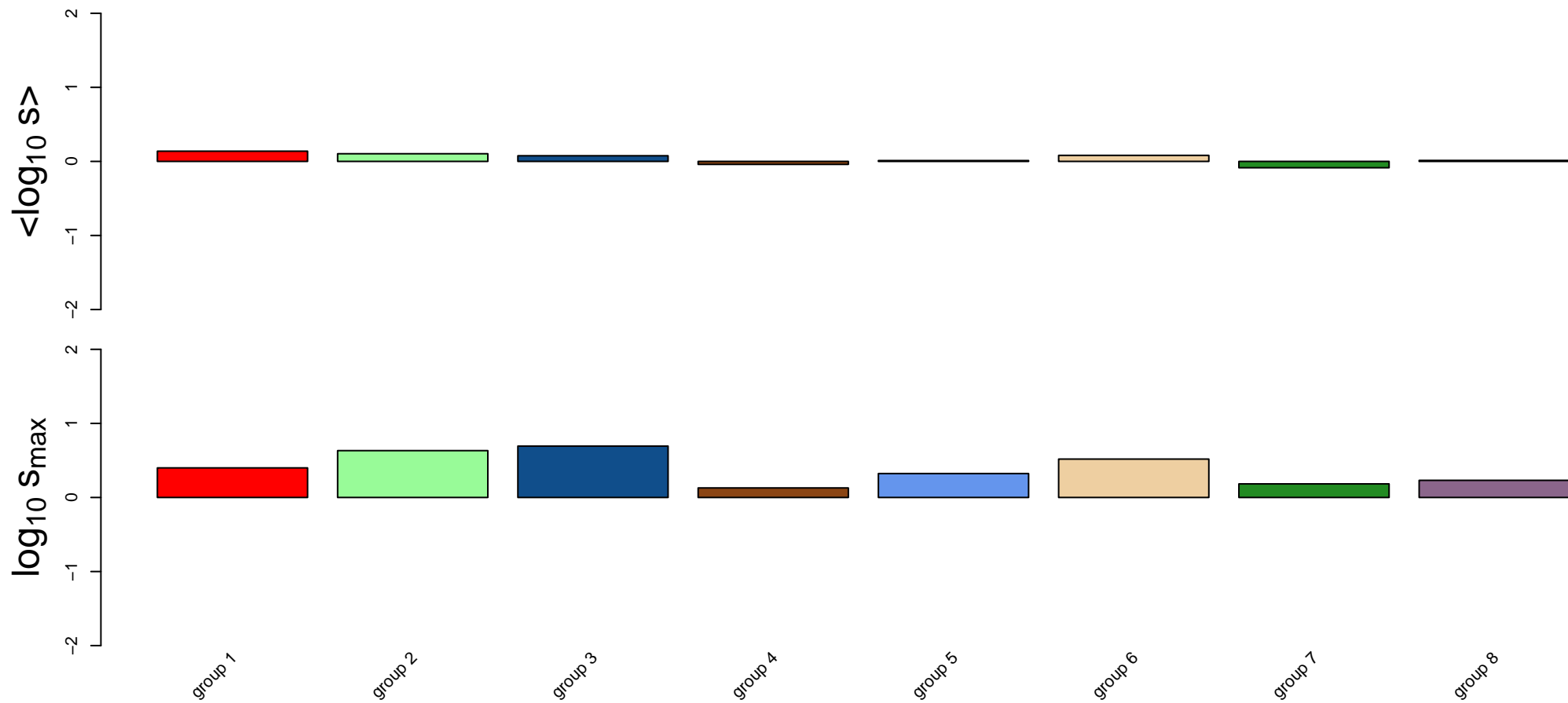
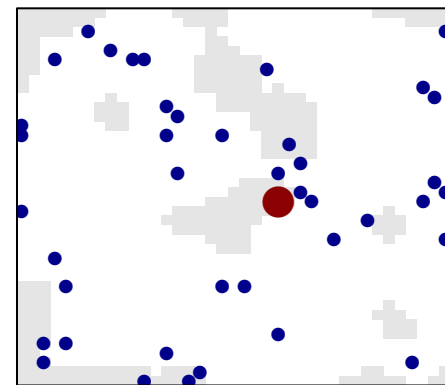


# Insulin resistance

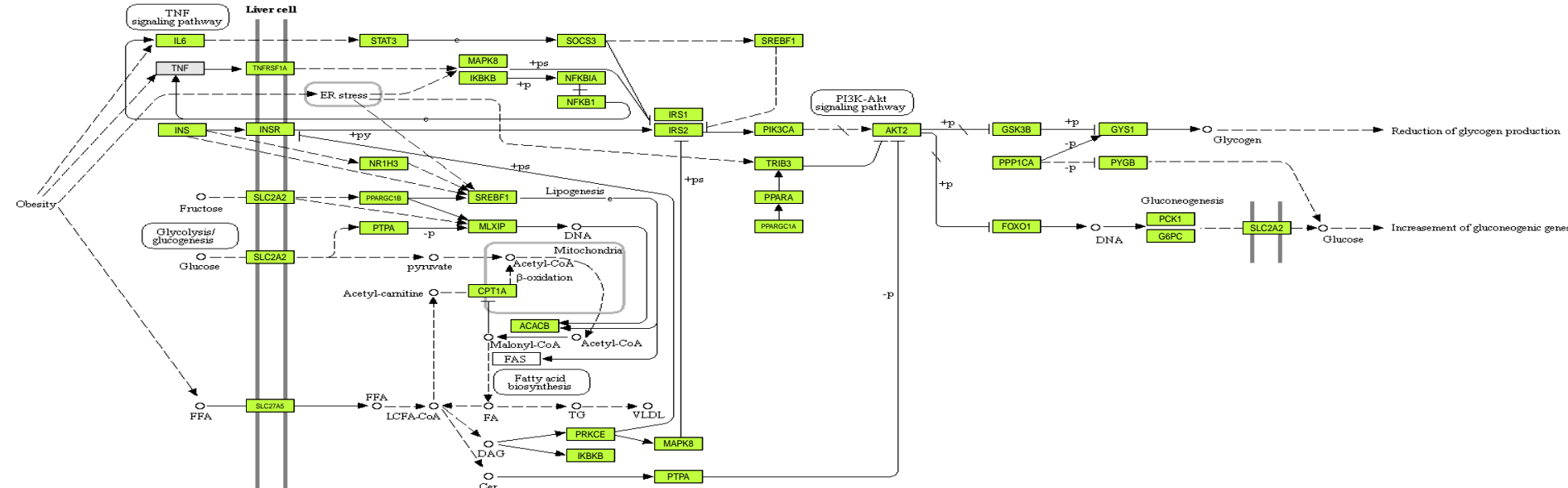
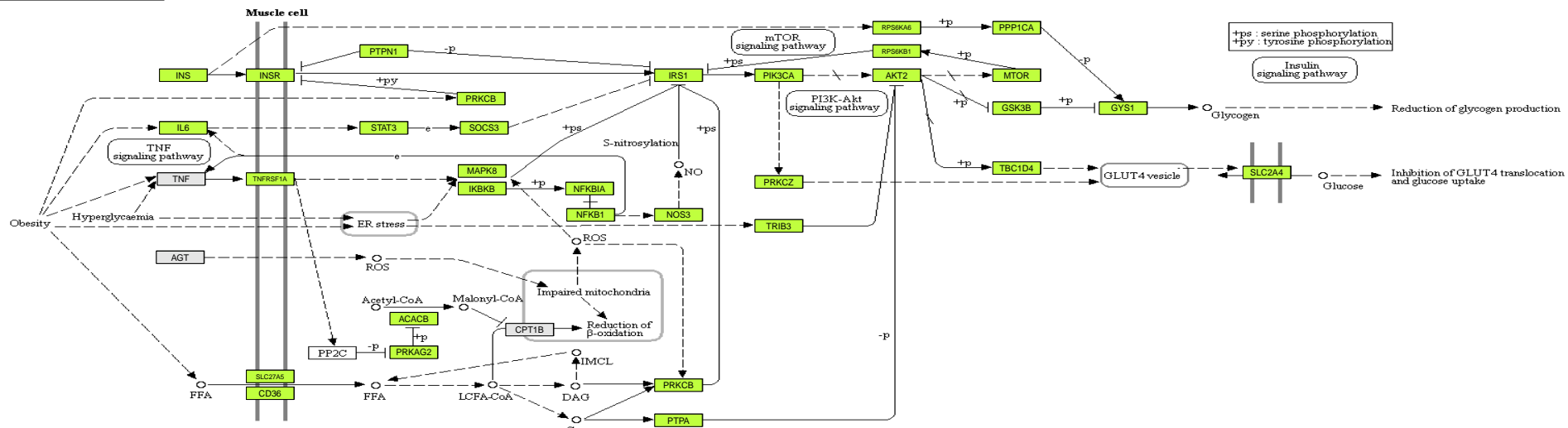
all genes



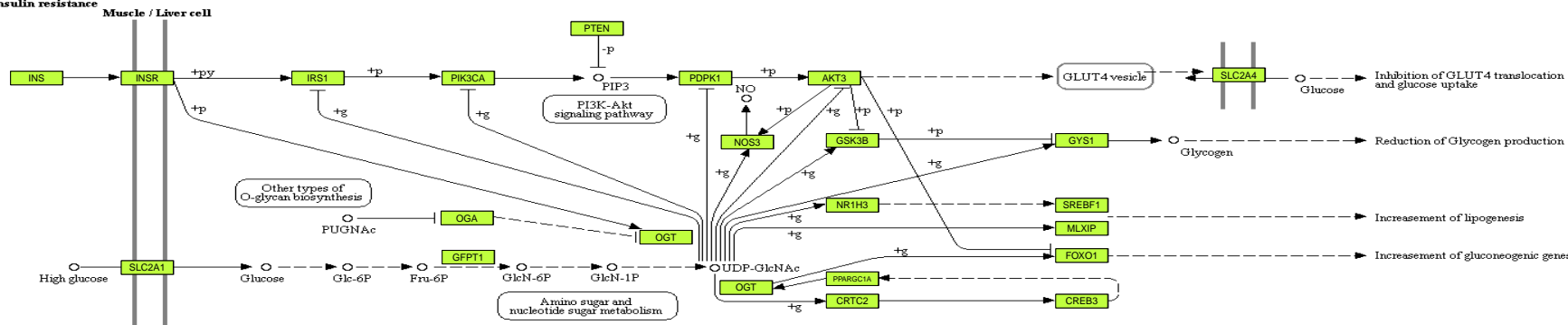
sink node genes



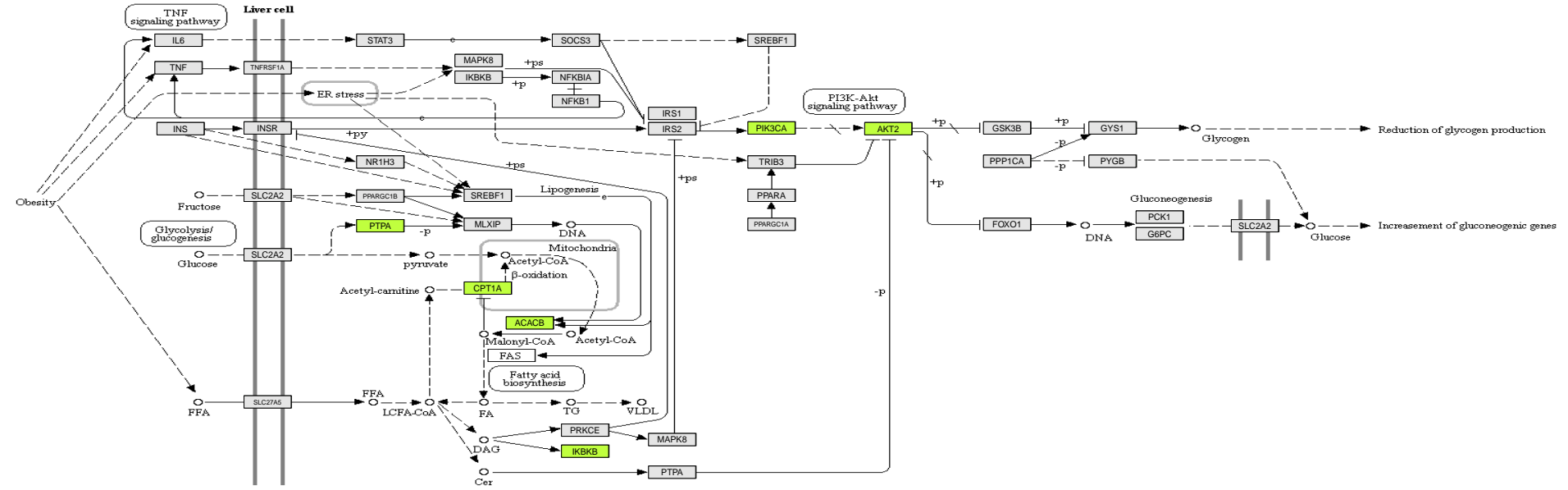
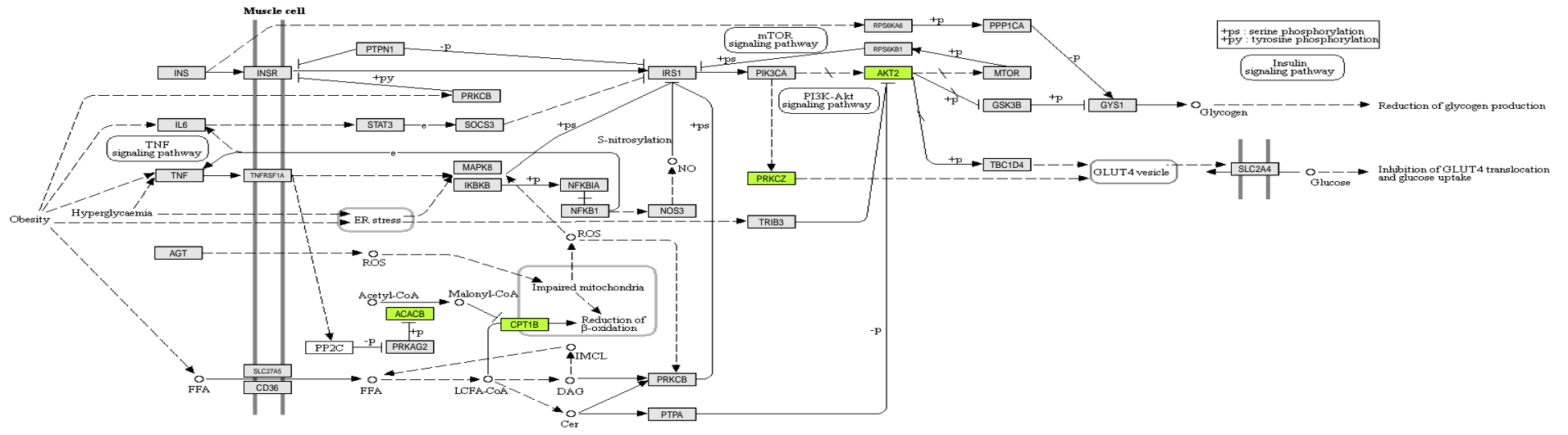
INSULIN RESISTANCE



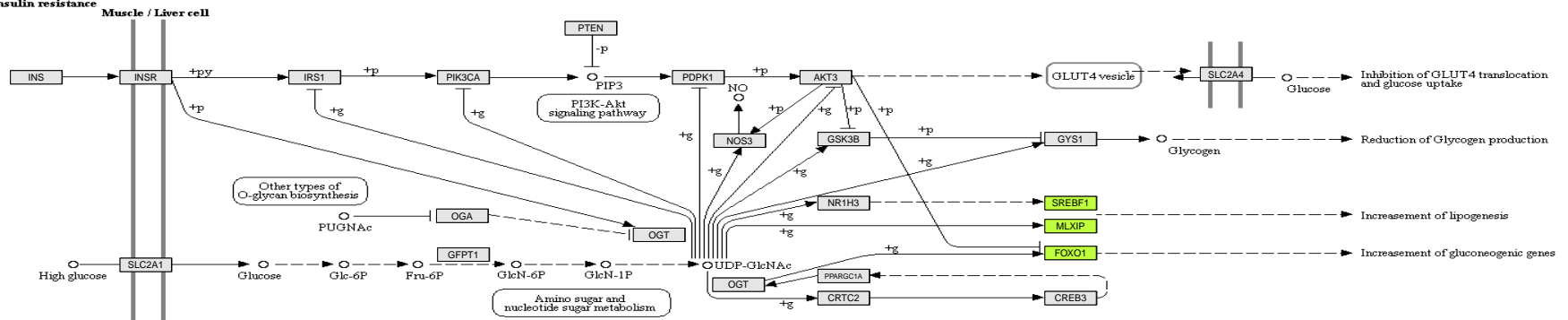
O-GlcNAc regulation of Insulin resistance



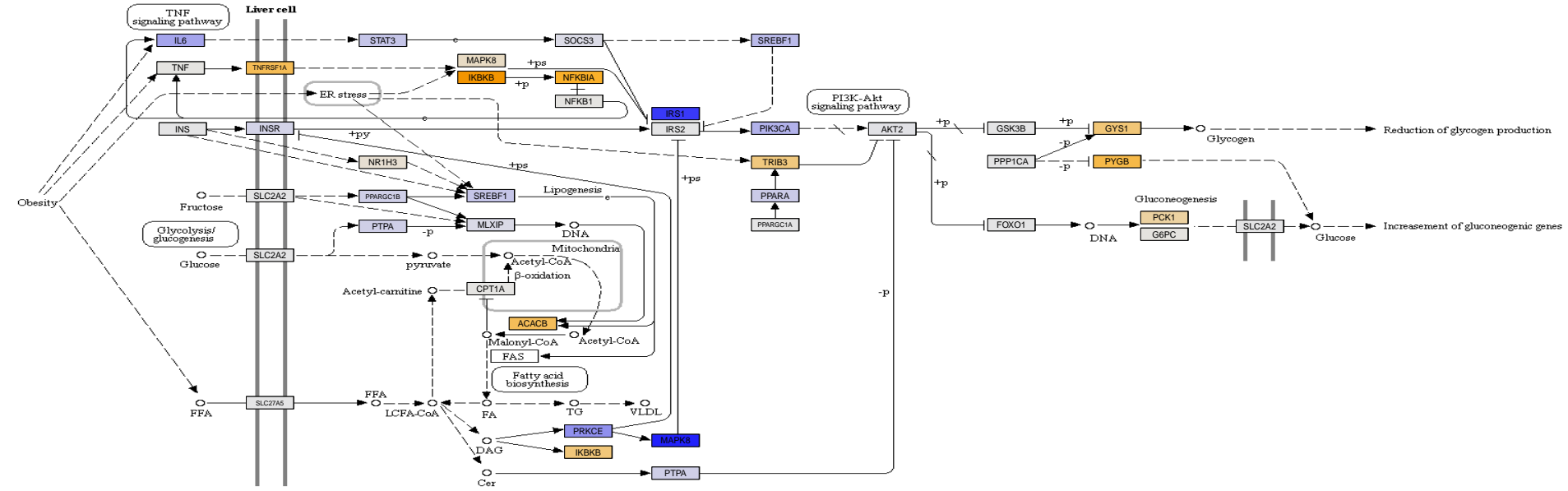
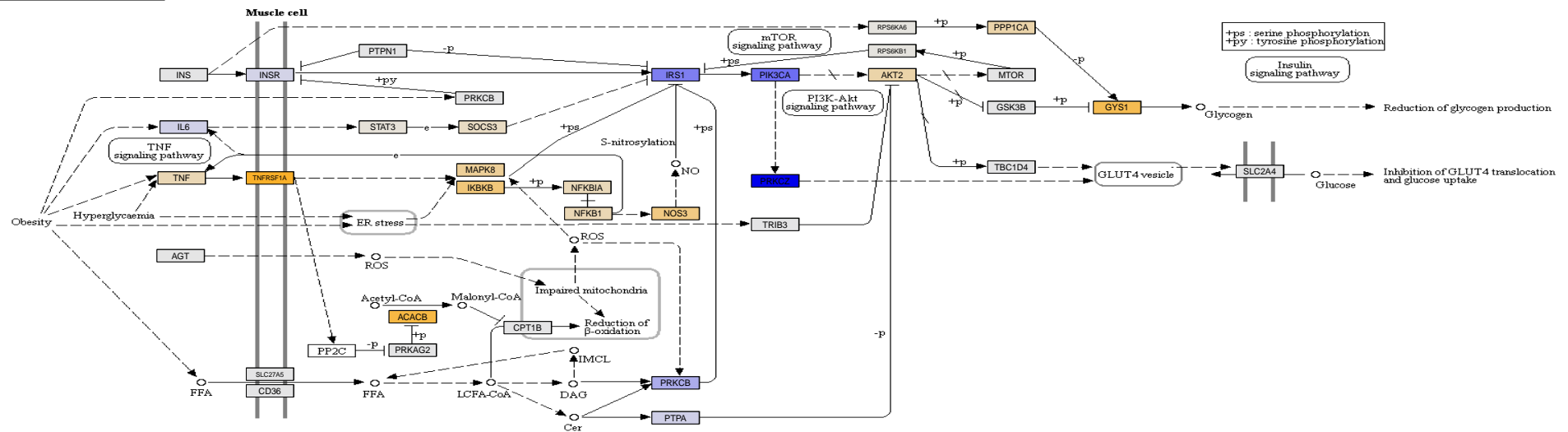
**INSULIN RESISTANCE**



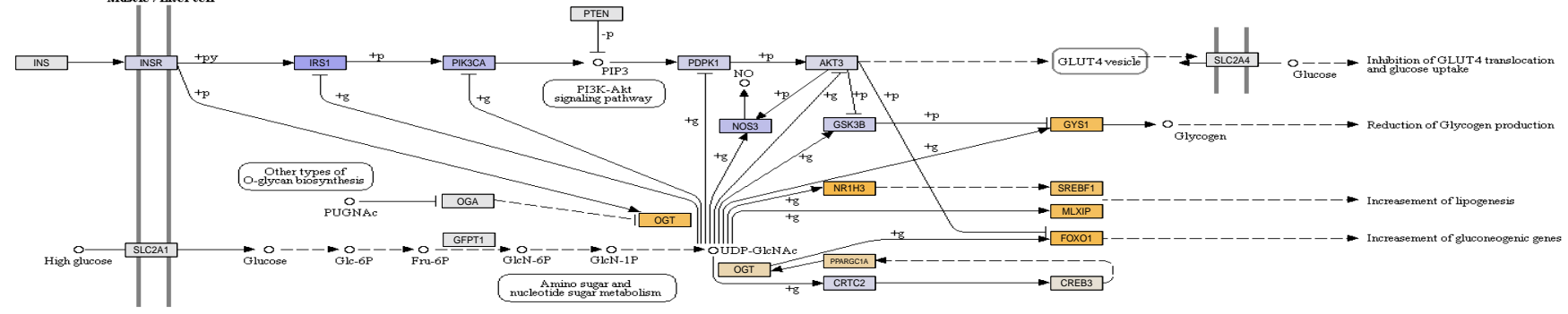
**O-GlcNAc regulation of Insulin resistance**



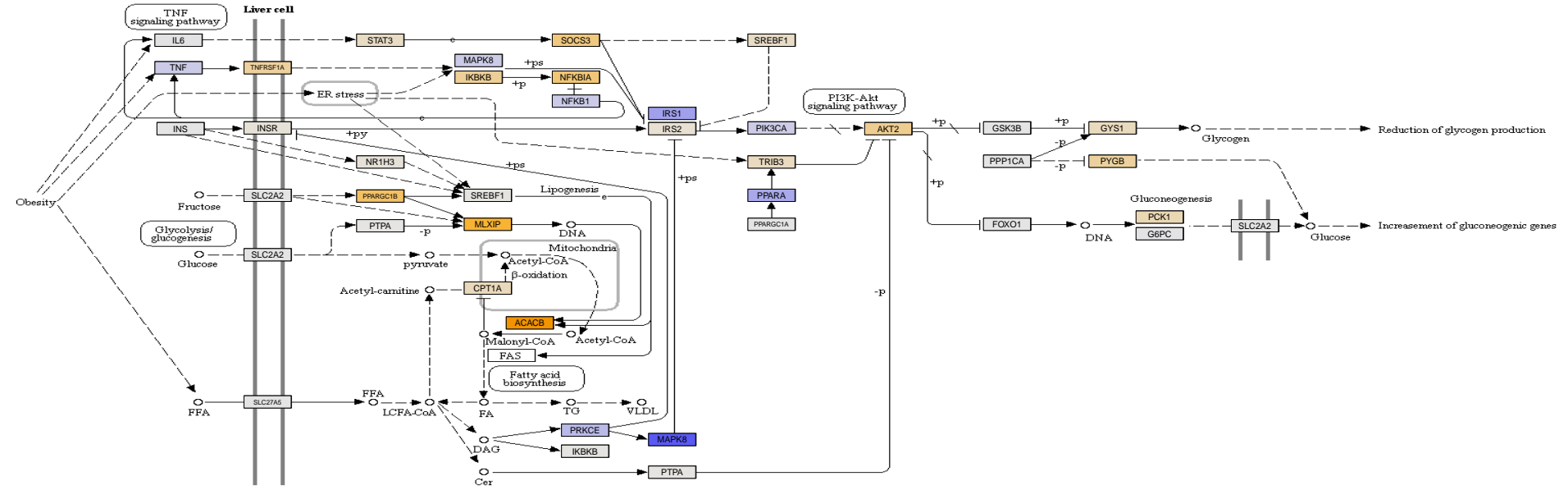
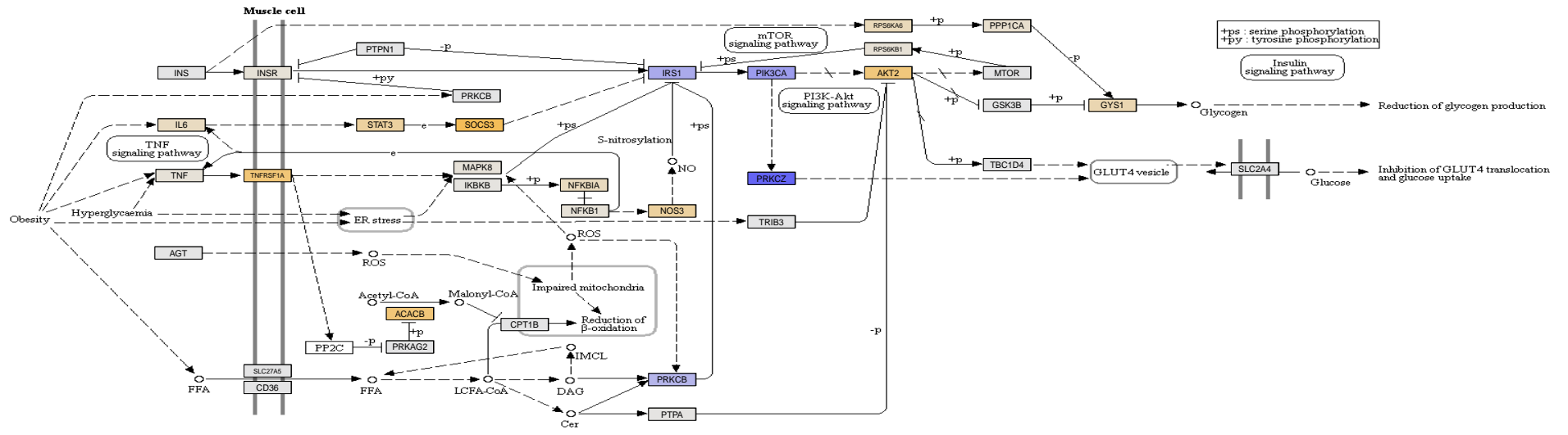
**INSULIN RESISTANCE**



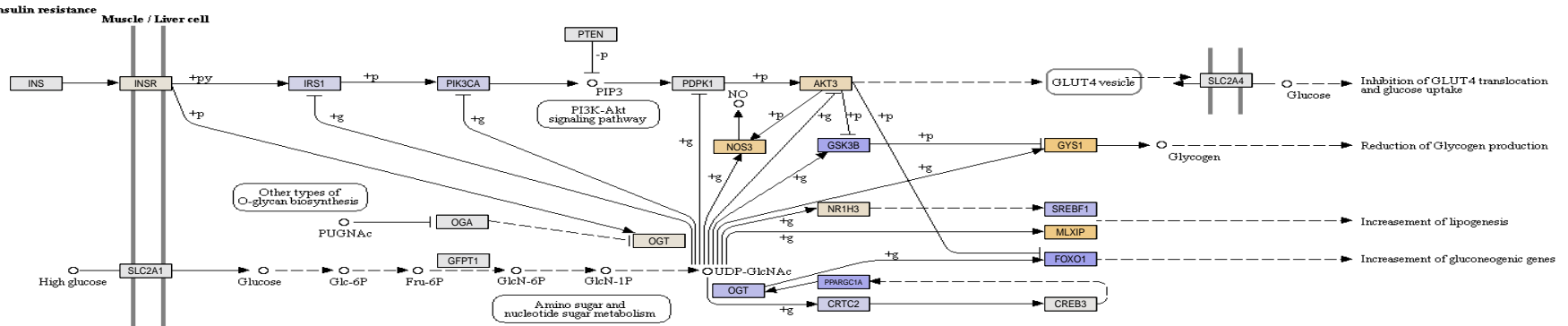
**O-GlcNAc regulation of Insulin resistance**



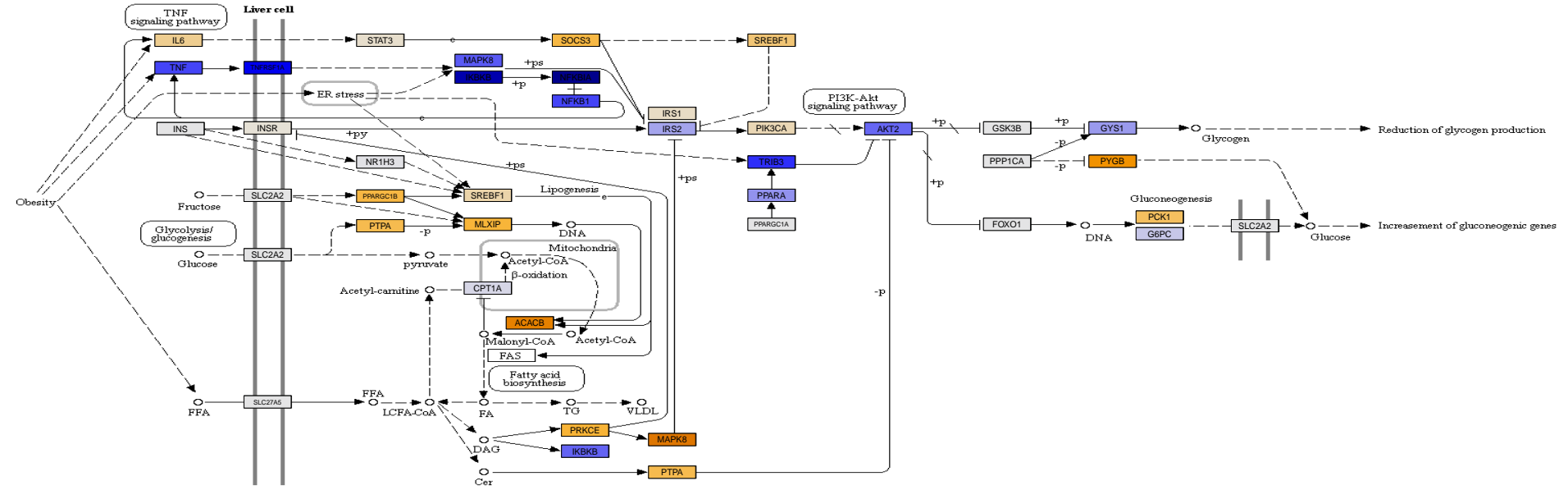
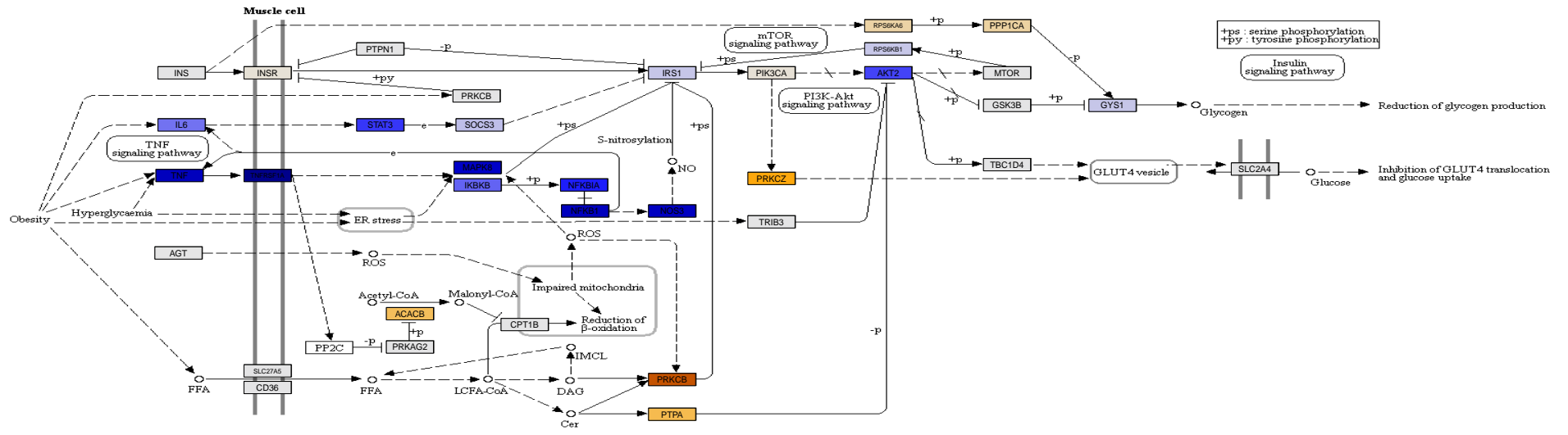
**INSULIN RESISTANCE**



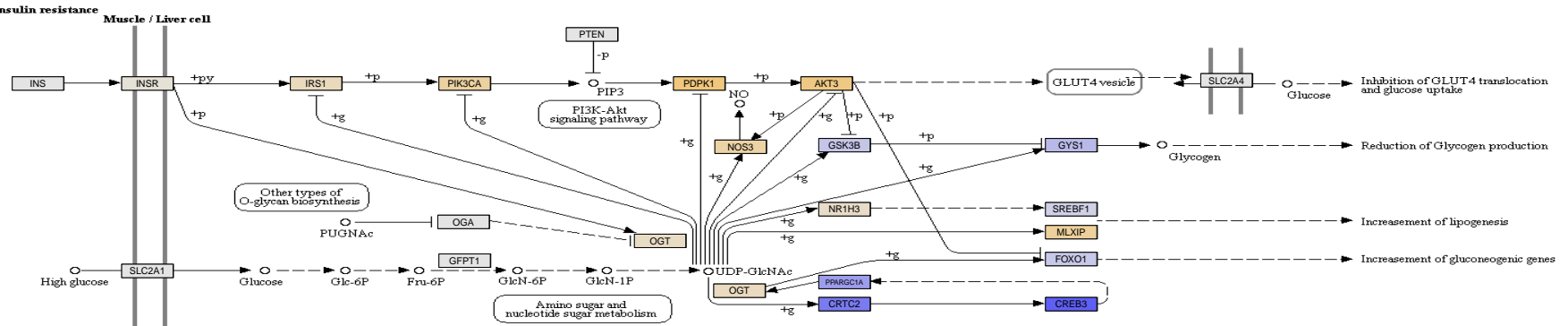
**O-GlcNAc regulation of Insulin resistance**



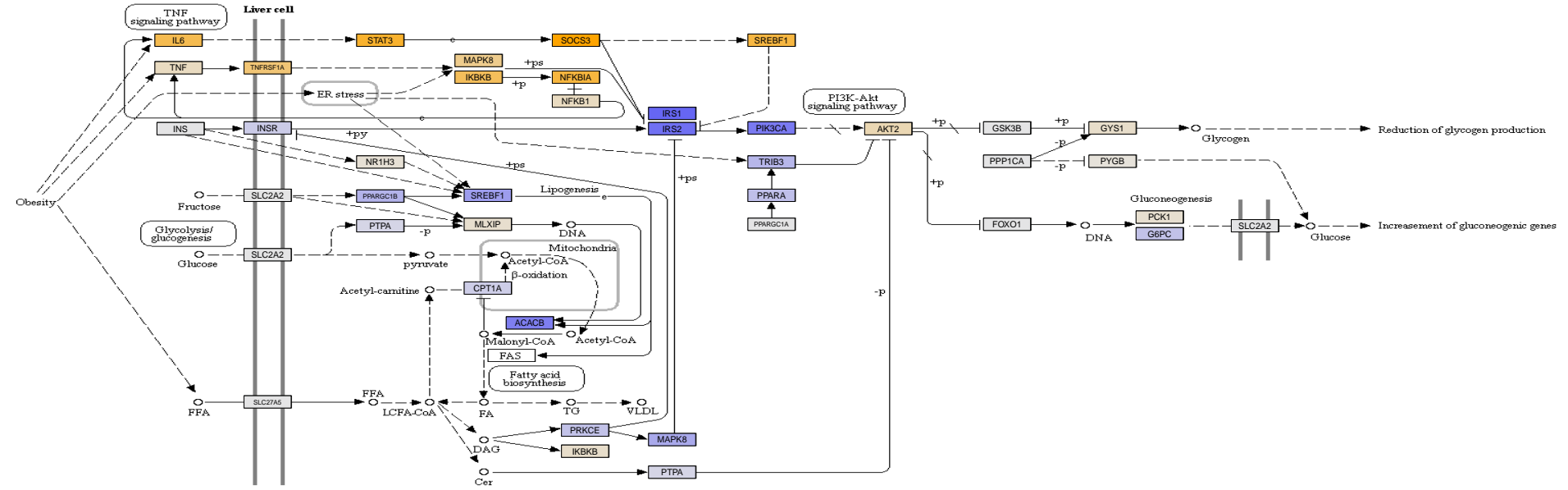
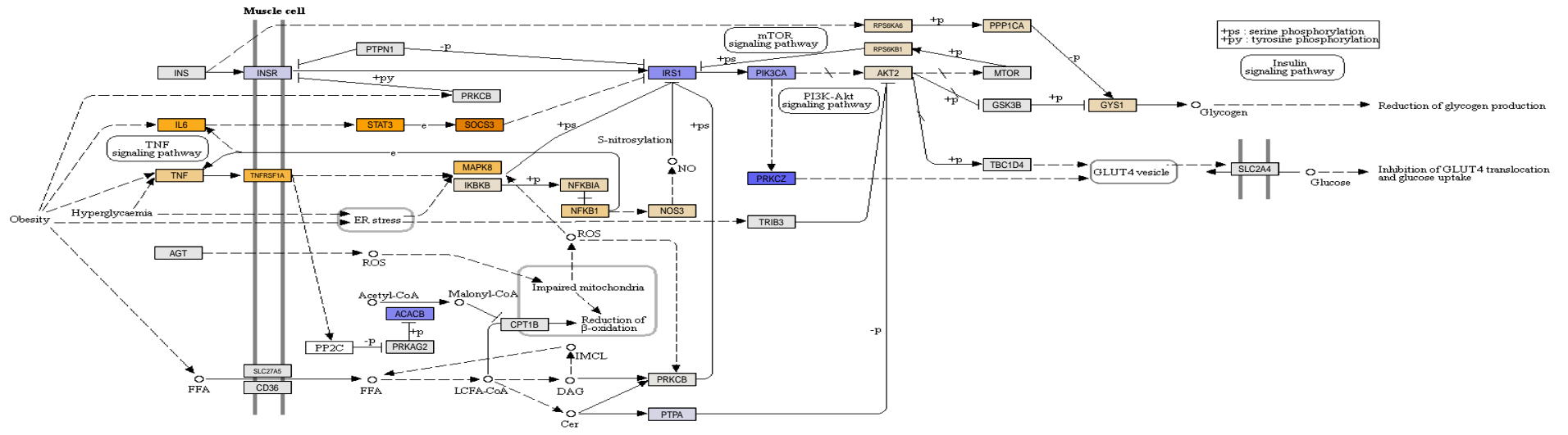
**INSULIN RESISTANCE**



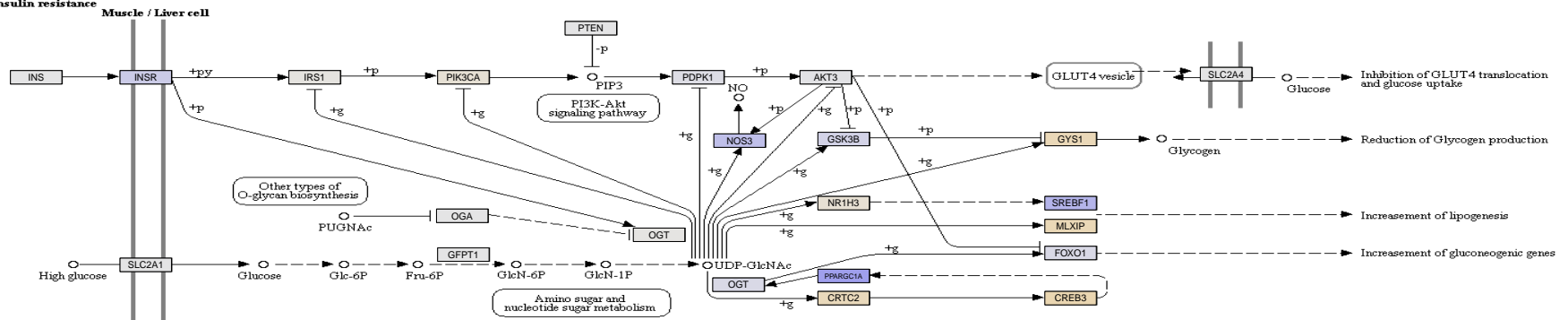
**O-GlcNAc regulation of Insulin resistance**



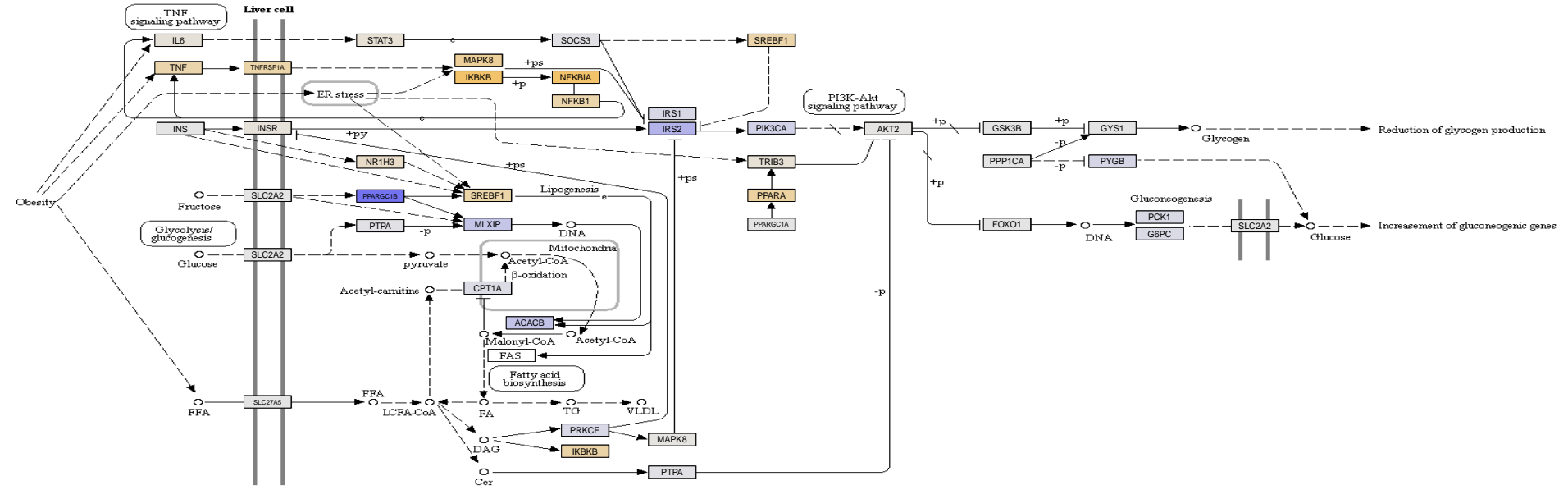
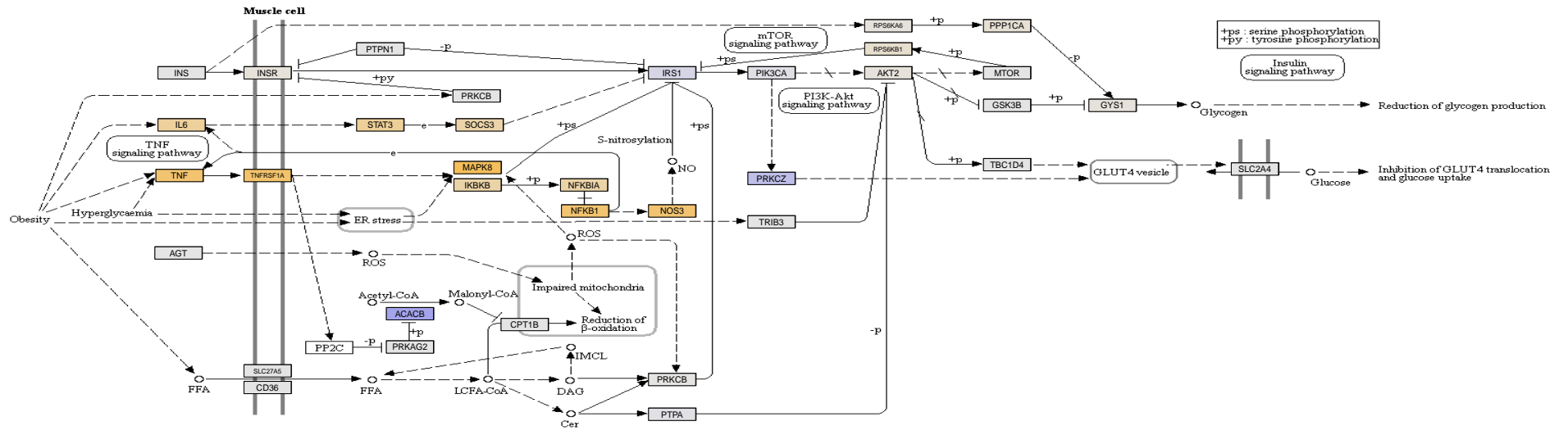
**INSULIN RESISTANCE**



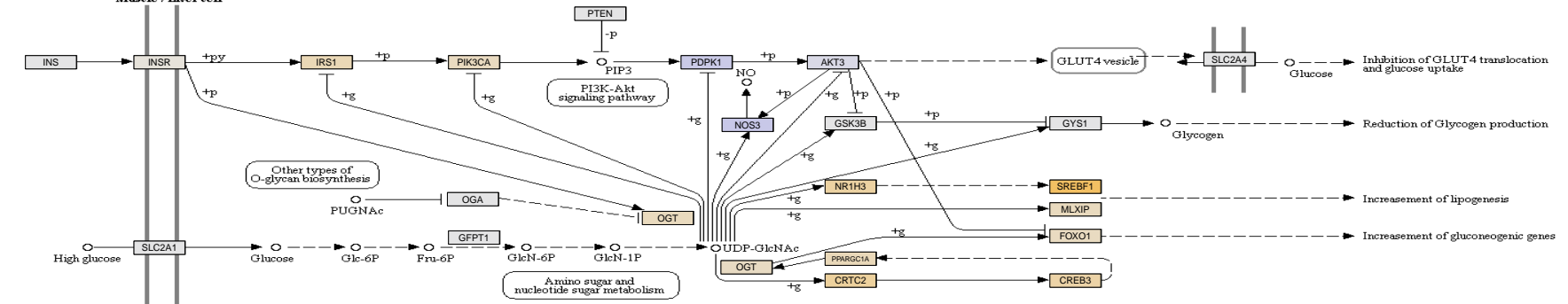
**O-GlcNAc regulation of Insulin resistance**



**INSULIN RESISTANCE**



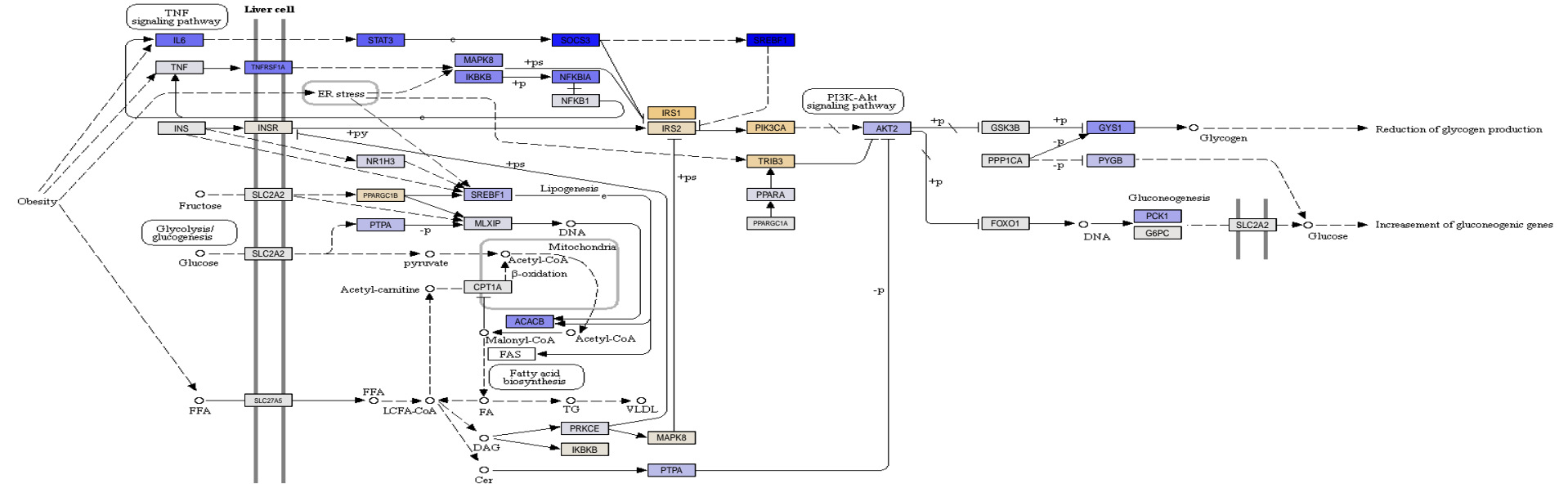
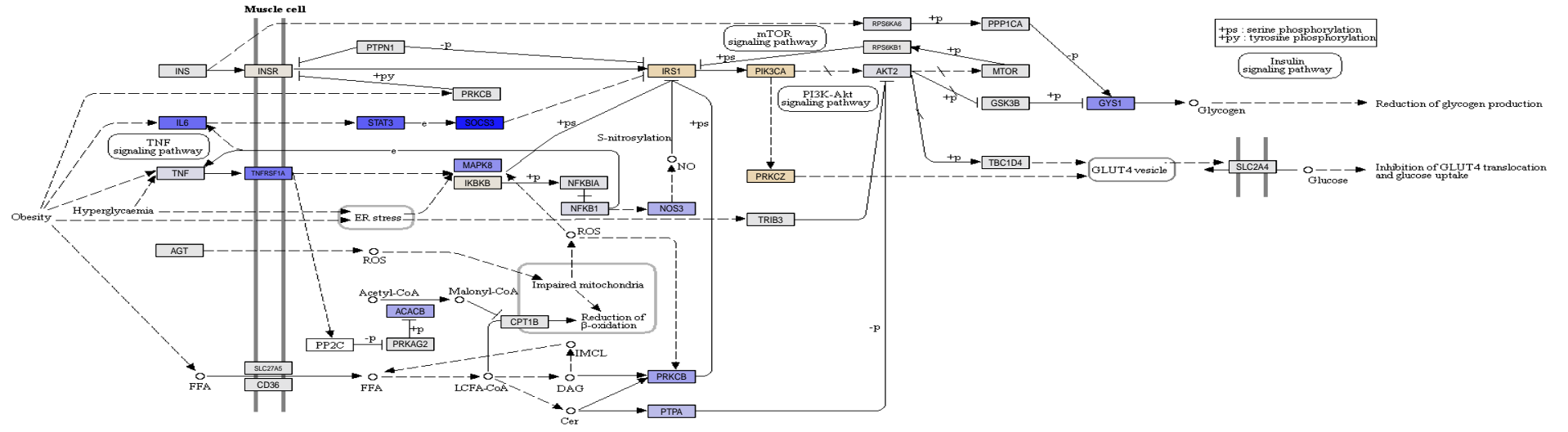
**O-GlcNAc regulation of Insulin resistance**







**INSULIN RESISTANCE**



**O-GlcNAc regulation of Insulin resistance**

